



SHADING & GLAZING SYSTEMS
2021 CATALOGUE





**SHADING
SYSTEMS**





SHADING SYSTEMS

Zip Blind

FEATURES OF ZIP BLIND SYSTEM

Zip Curtains are designed to be protected from external factors such as sun, wind and rain. Zip curtains with remarkable modern and aesthetic appearance Zip curtains, which are technological and modern curtains, are often preferred in areas such as commercial enterprises, residences, shopping centers.

You can find aesthetic and rational solutions to these and other problems thanks to the zip curtains that help protect against the negative effects of sun and wind. You can choose from our zip curtain models and apply it to your summer, winter garden or home.

1. Motorized Zip System creates certain protection against wind and cold. Special micro perforated fabric provides air circulation of area.
2. Has insect protection while it is %100 closed position.
3. Provides %30-%40 heat insulation approximately. It has protection also against wind and light rain and provides 4 seasons comfort.
4. Profiles which are extruded for construction systems is made by 6XXX alloys and they covered by painted or not painted anodized oxydation to protect their visual view.

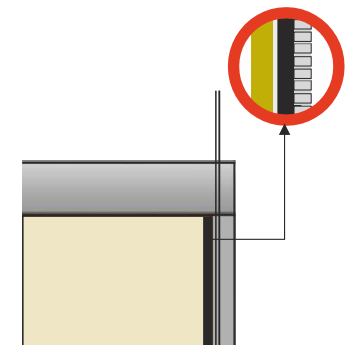
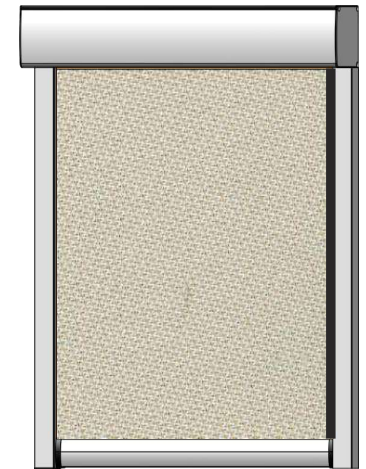
Most common alloys are 6063 or (AlMg0,7Si)-T5-F22 and they have similar chemical compounds and they have similar physical specifications.

5. All plastic parts of the zip systems are made by high mechanical strength and low frictional resistance raw materials. They have higher thermal resistance when we compare with other plastic materials.

6. Zip and blind fabric stick to each other with the help of ultrasonic welding technique.

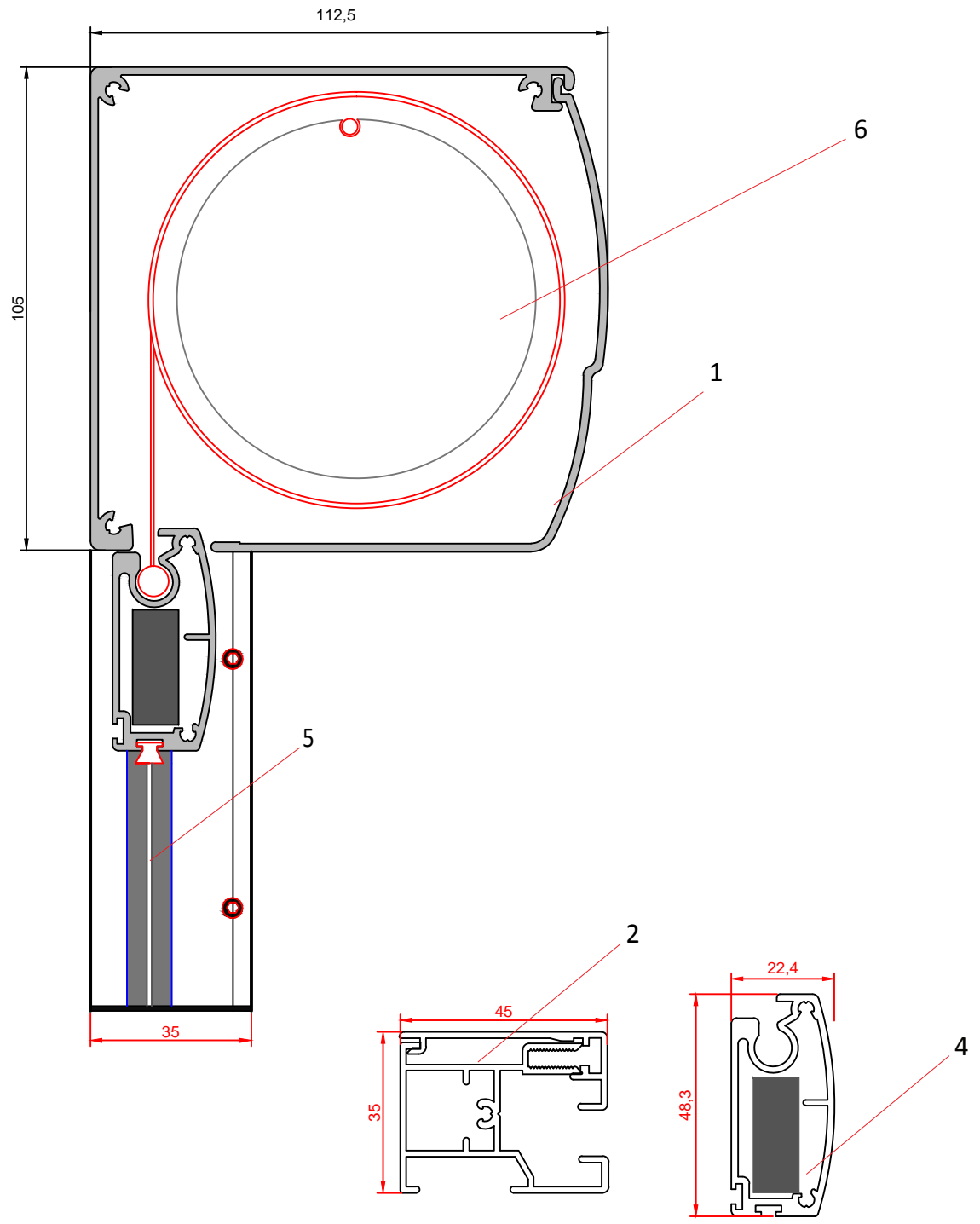
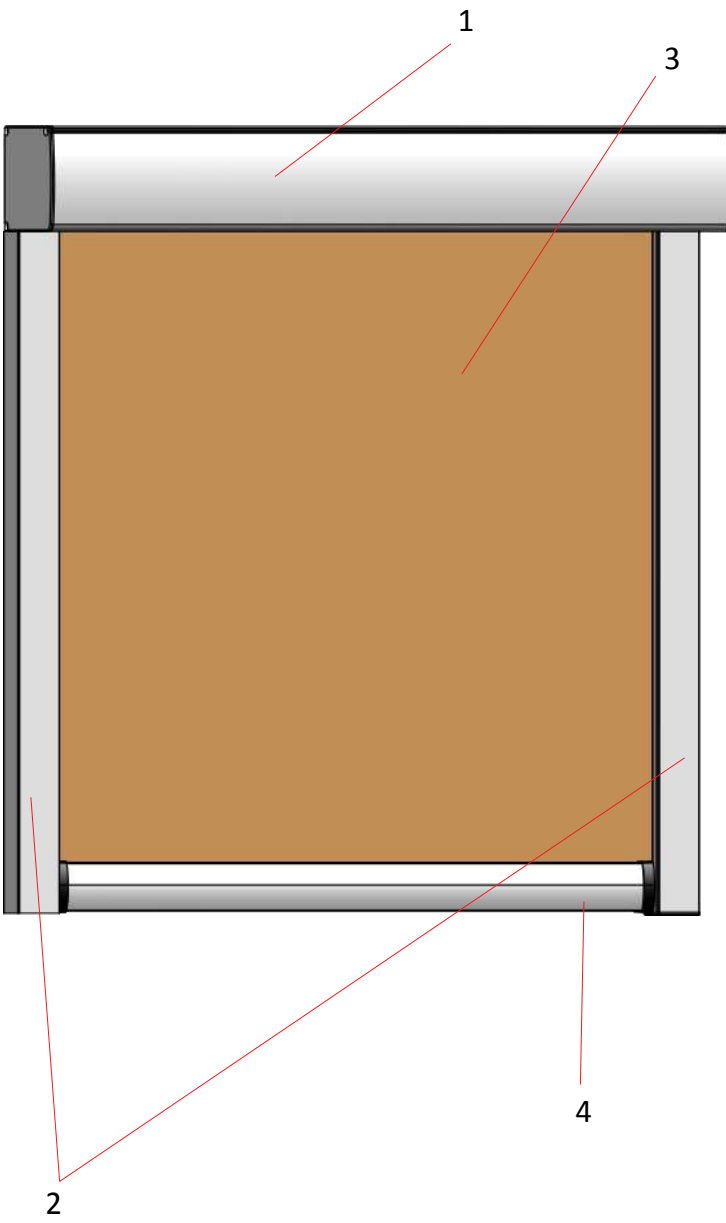
This technique give extreme resistance against splitting, tearing and deformations of welding area.

Water, heat and high speed winds cannot effect and deform welding area.



Zip Blind System Details

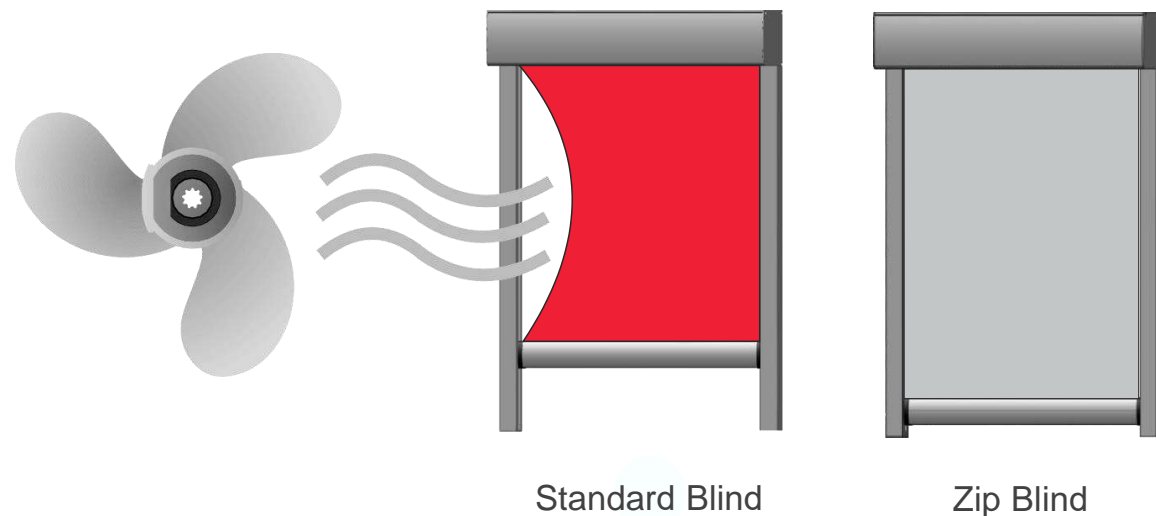
- 1 Box
- 2 Side Guide
- 3 Zip Blind Fabric
- 4 Sliding Bar
- 5 Zip Holder PVC Bar
- 6 Motor Tube



Zip Blind System Details



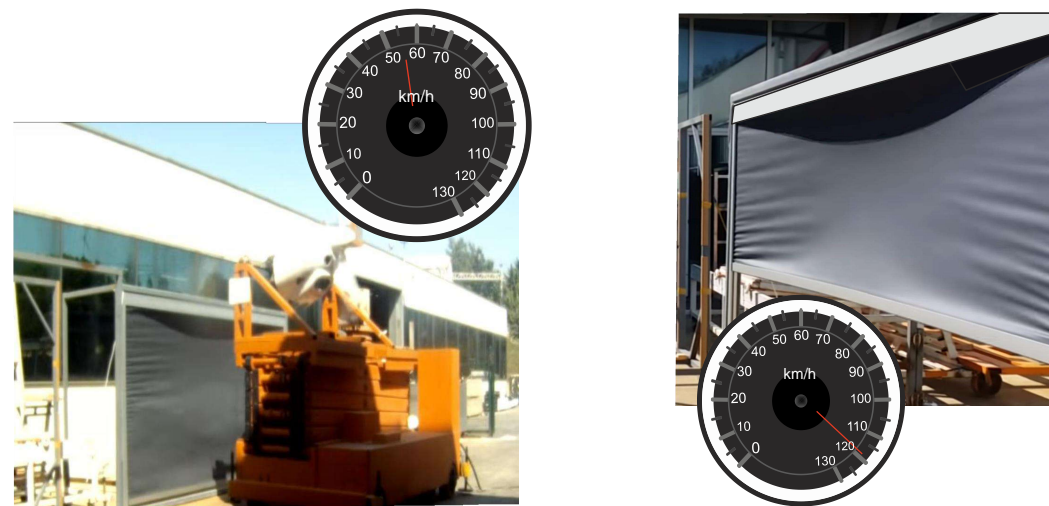
Zip Blind System Details



Motorized Zip System creates certain protection against wind and cold. Special micro perforated fabric provides air circulation of area. Serge Ferrari and Copaco fabric options can be choosed as an option.



- * Zip and blind fabric stick to each other with the help of ultrasonic welding technique.
- * This technique give extreme resistance against splitting, tearing and deformations of welding area.
- * Water, heat and high speed winds cannot effect and deform welding area.



Perfomance Test



All plastic parts of the zip systems are made by high mechanical strength and low frictional resistance raw materials. They have higher thermal resistance when we compare with other plastic materials.



ARTREX CONSTRUCTION SYSTEMS

ZAFER MAH. 2316 SOK. NO:22/A
BUCA - İZMİR / TURKEY

TEL (ENG): +90 554 543 97 94
TEL (ARB): +90 539 776 07 70

info@artrex.com.tr / www.artrex.com.tr